



RFAN06

AUDIO ROUTING // ANALOG-AUDIO

NEXUS Star Router 19" Fan Unit

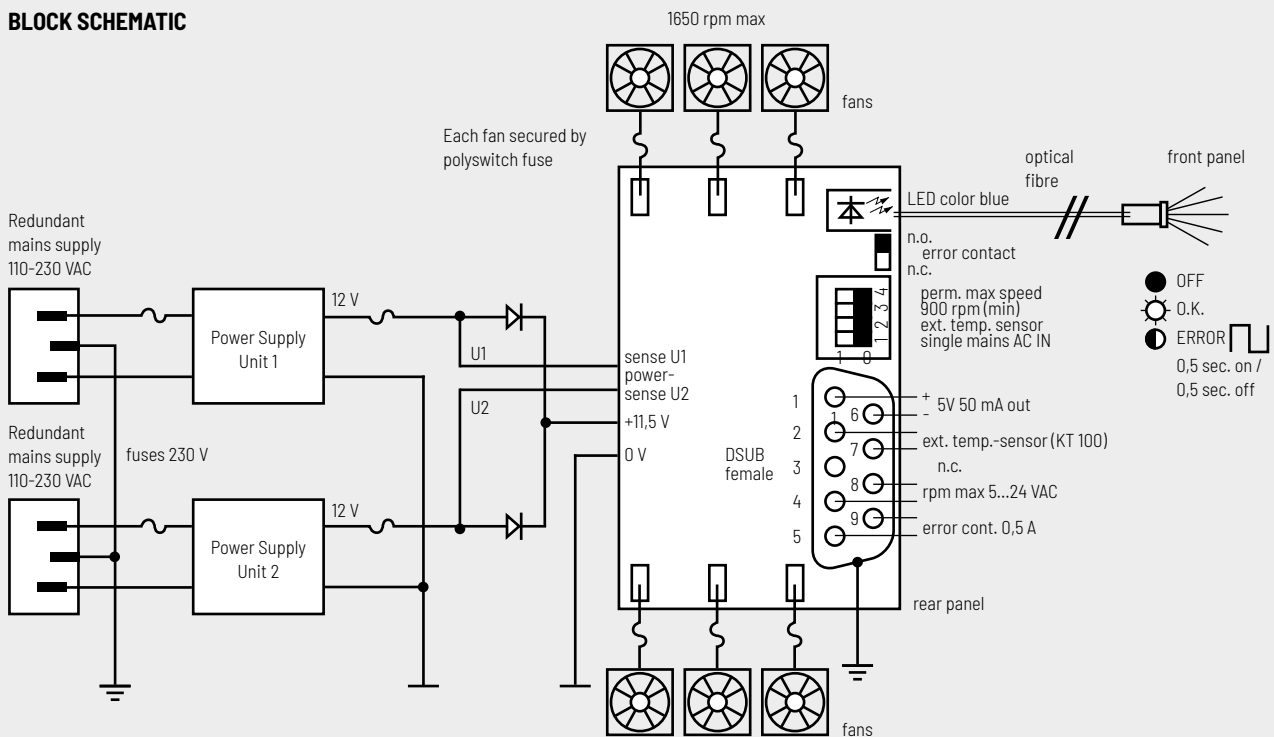
INTRODUCING THE NEW RFAN06

THE INDIVIDUAL TEMPERATURE CONTROL UNIT FOR ALL NEXUS DEVICES SUITABLE FOR ALL 19" STANDARD RACKS. ENGINEERED FOR OPTIMAL REGULATION OF TEMPERATURES, THE RFAN06 OFFERS 6 SYNCHRONIZED SINGLE FANS (PWM) WITH A HIGH AIR RATE AT A VERY LOW NOISE LEVEL OF 16 DB/A. THE EXPECTED LIFETIME OF ABOUT 150,000 OPERATING HOURS GUARANTEES A LONG-LASTING COOLING SYSTEM OF NEARLY 17 YEARS WITH SEVERAL OPERATING MODES FOR THE INDIVIDUAL PURPOSE.

EASY SYSTEM INTEGRATION AND CONTROL CONCEPT

RFAN06 with a height of only 1 RU can easily be integrated to existing systems. RFAN06 offers a processor controlled and monitored speed regulation but also several adjustment and control options on the back panel (see next page). Furthermore, the RFAN offers the possibility of remote control via DSUB connector (female).

BLOCK SCHEMATIC



ERROR MANAGEMENT

RFAN06 monitors the following components permanently and indicates errors by LED signal on the front panel and error contact on the back (0.5 A):

- Every single fan, at deviations of more than 10% below nominal speed
- Both redundant power supplies
- Processor
- Temperature sensor

If any failure on the above-mentioned components is detected, the system will change to maximum fan speed of 1650 rpm to guarantee a continuous air flow and cooling. The LED on the front changes from permanent light to alternating mode and an error message is sent out via the error contact. As soon as the failure is removed, the failure message is reset, and the LED will light permanently again.

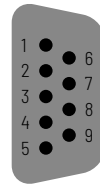
FEAUTRES OF RFAN06

- Two redundant, physically divided power supply units.
- Optional use of external temperature sensor.
- Basic rpm selectable between 900 and 1200 rpm.
- Individual monitoring and regulation of every single fan.
- Error management avoiding downtimes of cooling system by increasing to maximum speed.
- Using only one of the two power supplies on purpose, the error message can be stopped by DIP switch.
- Type of error contact can be chosen between "normally closed" and "normally open".
- Error indication by blue LED in front panel and error message via error contact.
- Automatic reset of all error messages as soon as a failure has vanished.
- Can be run on maximum speed permanently by adjustment.
- Structure-borne sound isolation results in a very low noise level of about 16 dB/A at low speed.
- Robust and slight brushed stainless-steel housing and 3 mm aluminum front panel, suitable to all 19" standard racks, only 1 RU high.

AC IN

Two redundant mains supplies, 100-240 VAC / 18 Watt, C14 standard male socket (10 A).

9 pins DSUB female connector



1/6 5V/50 mA output, auxiliary voltage to control e.g. external signal LED or maximum speed

2/7 Terminal for external temperature control (not connected)

4/8 Rpm: control of maximum speed via 5 - 24 V (optocoupler)

5/9 Error contact, selectable by separate switch

DIP-Switch

DIP 1: Selection between one or two mains supplies (prevents failure message in case of using only one mains supply cable)

DIP 2: Dynamic speed control via external temperature sensor KT100 (max. speed at 40°C)

DIP 3: Minimum speed selected between 900 and 1200 rpm

DIP 4: Permanent maximum speed on/off

n.c./n.o. error contact

Switch to adjust the type of error contact (n.c.: normally closed; n.o.: normally open).

REAR VIEW



AC IN

AC IN

DIP switch

DSUB female connector n.c./n.o. error contact

TECHNICAL DATA

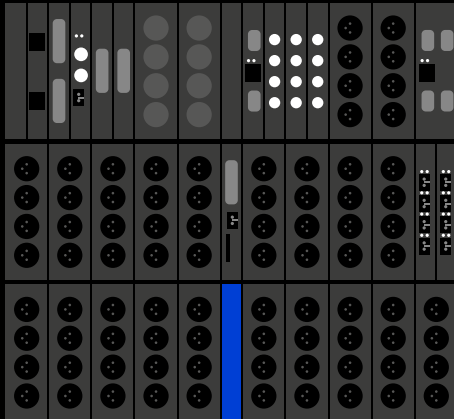
Model No.	RFAN06
Mains Supply	100-240 V AC, 50/60 Hz
Fuses	No exchange of fuses needed (self-repairing)
Max. power consumption	18 Watt
Dimensions (W/H/D)	19", 1 RU: 435 x 44,45 x 350 mm (without front panel)
Weight (approx.)	3.3 kg



NEXUS // NETWORKED AUDIO MATRIX

NOW, IT'S TIME FOR YOU TO DEFINE YOUR SYSTEM'S FUTURE.

Each installation is unique, demanding a system that perfectly aligns with its specific composition. Our dedication to customized solutions ensures that every domain receives the ideal system assembly specification. Are you seeking a modular design that empowers you with adaptability and seamless growth? Or do you prefer the stability and simplicity of a fixed system? Why not consider a combination of both, harmonizing flexibility and permanence to suit your needs? With STAGETEC, our NEXUS networked audio matrix systems will serve as the reliable heartbeat of your installation.



NEXUS modular



NEXUS compact



NEXUS integral

STAGETEC

Sales and Services GmbH & Co. KG

Ottostraße 11 | 96047 Bamberg | Germany

T. +49 (0)30 / 63 99 02-850

info@stagetec.com

www.stagetec.com

STAGETEC GmbH

Tabbertstraße 10-11 | 12459 Berlin | Germany

T. +49 (0)30 / 63 99 02-0